



VL-250-500 Series



# VL-250-500 Series

## Heat Recovery Ventilation



With a greater focus on health in our homes, the issue of indoor air quality is now essential. At the same time, households are looking to be more energy efficient than ever before.

With the Vertical Lossnay, households can have filtered air inside the house whilst conserving energy in the process, experiencing a reduction in the amount of energy wasted.

Lossnay's Heat Recovery Technology can recover up to 85% of the heat energy typically escaping with the outgoing exhaust or stale air. That energy is then used to pre-heat or cool incoming fresh air.

---

### Filter (Optional)

Now providing additional air purification with an optional filter corresponding to NO<sub>x</sub> and PM<sub>2.5</sub> to help improve your indoor air quality.

It has a range of optional filters available, including medium to advanced high-efficiency filters and a NO<sub>x</sub> filter targeting air pollutants.

The design allows easy front access for all filters to help with regular maintenance.

### Built-In Full Bypass Mode

This function allows the unit to bring in fresh air from outside without recovering the heat. This can be ideal for cooling down a dwelling that's overheated during the day when the outside temperature has dropped in the evening. Using temperature sensors, the unit can automatically enter bypass mode when it detects the space is hotter than desired and the outside air is cool enough.

### Built-In LCD Controller

The LCD controller allows easy control and commissioning of the unit with a clear display showing normal, boost, and purge modes. Up to 4 speed settings can be commissioned digitally in percentage increments to ensure constant and accurate settings.

### Space Saving Installation

The vertical upright design allows flexibility when installing the unit in new homes or retrofitting existing homes. It is not limited to an in-roof installation; install the unit in a kitchen cupboard, garage or laundry to save space.

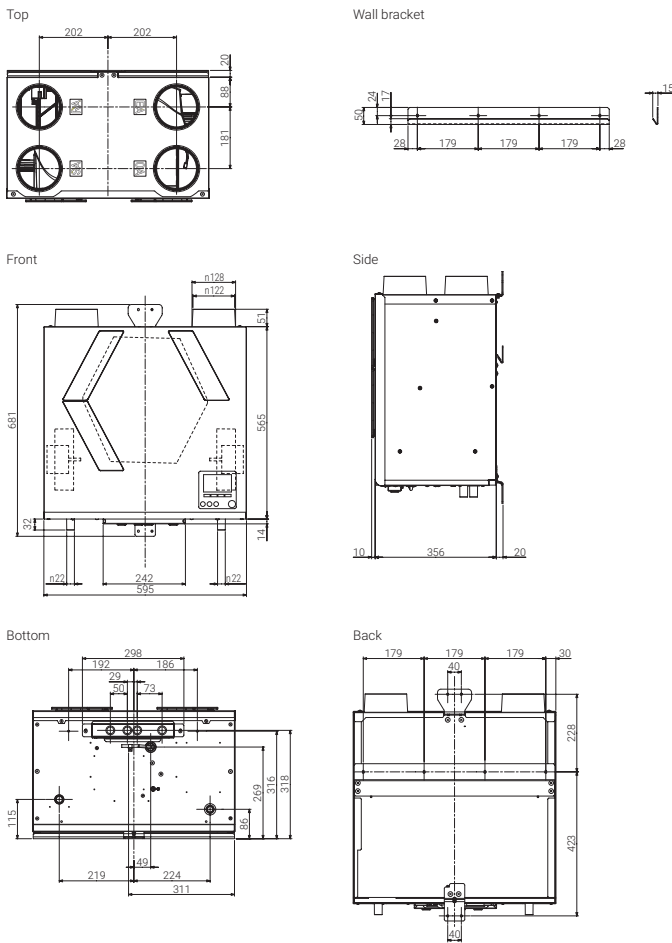
The unit is available in both left and right supply and return ducting configurations.

# Product Specifications

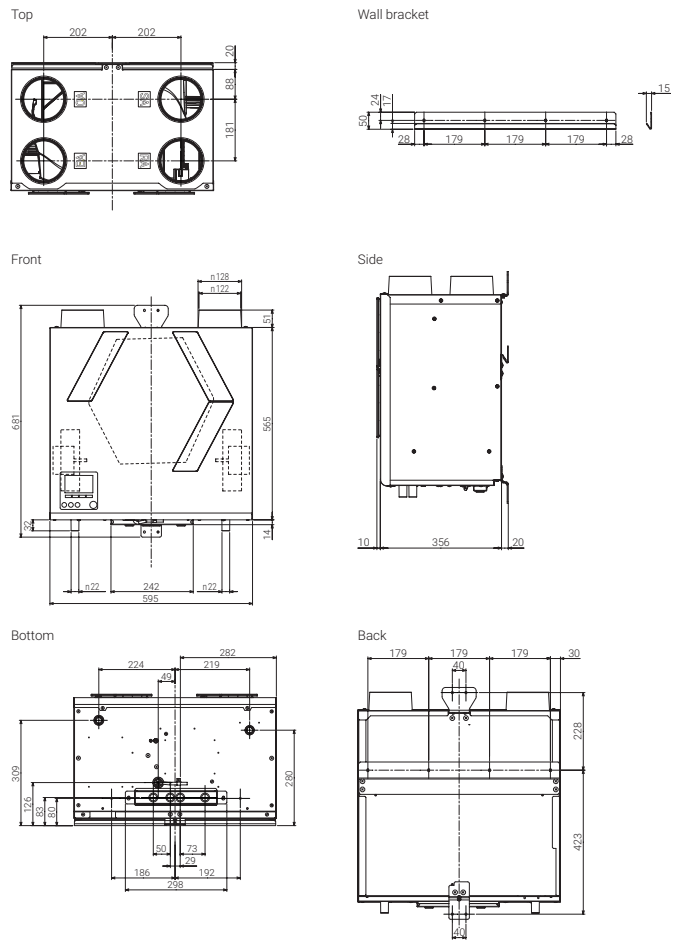
VL-250CZPVU-R/L-E		220-240V / 50Hz, 220V / 60Hz			
Electrical Power Supply		220-240V / 50Hz, 220V / 60Hz			
Ventilation Mode		Heat Recovery Mode			
Heat Exchanger Type		Sensible Heat Exchanger			
Fan Speed		FS4 (100%)	FS3 (70%)	FS2 (50%)	FS1 (30%)
Running Current	A	0.76	0.35	0.20	0.12
Input Power	W	106	44	23	11
Airflow	L/S	69	49	35	21
External Static Pressure	Pa	150	74	38	14
Temperature Exchange Efficiency	%	85	87	88	90
Sound Pressure Level at 3m	dB	31	22	16	15>
Energy Efficiency Class	ERP	A+			
Weight	kg	26			
Dimensions (H x W x D)	mm	565 x 595 x 356			

## Dimensions

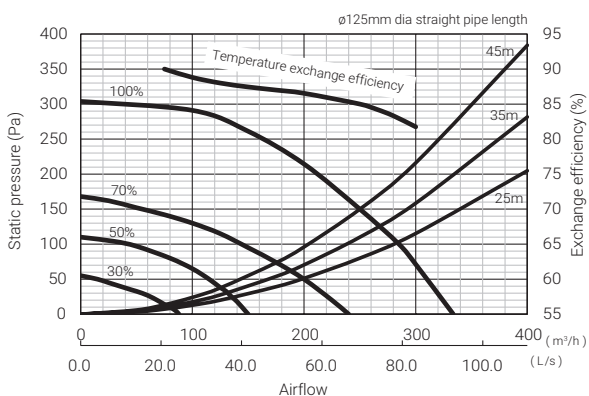
VL-250CZPVU-R-E



VL-250CZPVU-L-E



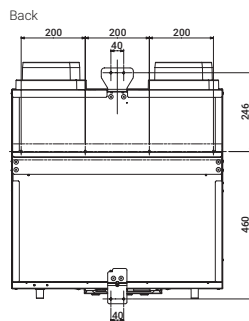
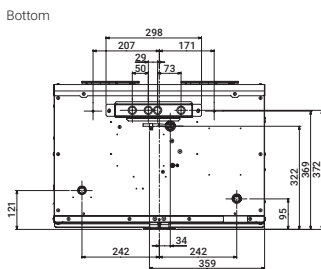
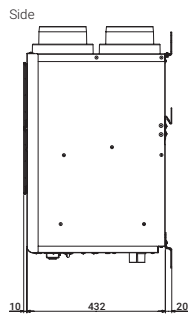
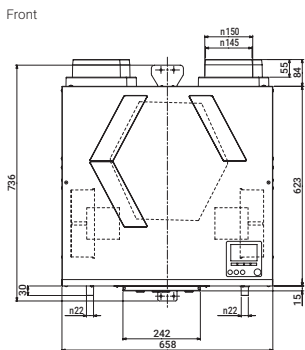
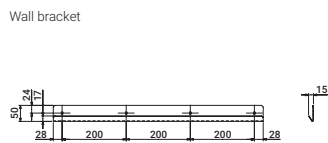
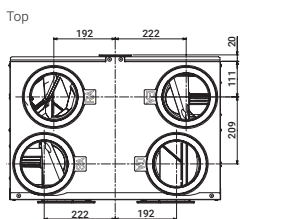
## Characteristic Curves



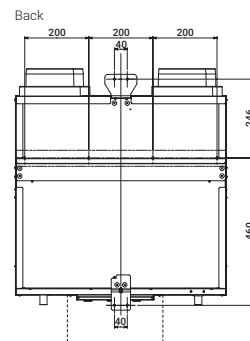
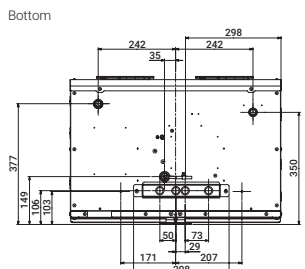
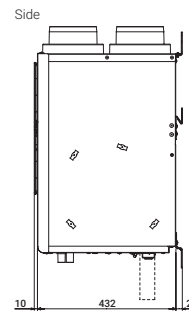
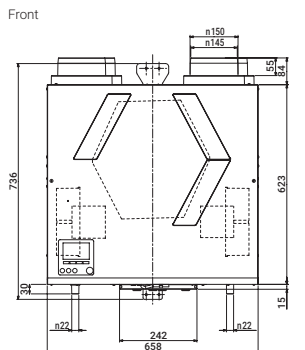
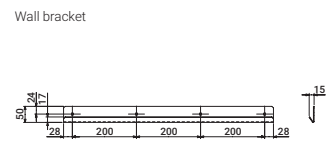
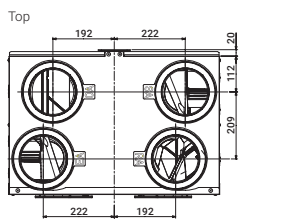
VL-350CZPVU-R/L-E		220-240V / 50Hz, 220V / 60Hz			
Electrical Power Supply		220-240V / 50Hz, 220V / 60Hz			
Ventilation Mode		Heat Recovery Mode			
Heat Exchanger Type		Sensible Heat Exchanger			
Fan Speed		FS4 (100%)	FS3 (70%)	FS2 (50%)	FS1 (30%)
Running Current	A	1.08	0.52	0.31	0.18
Input Power	W	155	71	37	19
Airflow	L/S	89	62	44	27
External Static Pressure	Pa	150	74	38	14
Temperature Exchange Efficiency	%	85	87	88	90
Sound Pressure Level at 3m	dB	35	26	19	15>
Energy Efficiency Class	ERP	A+			
Weight	kg	32			
Dimensions (H x W x D)	mm	623 x 658 x 432			

**Dimensions**

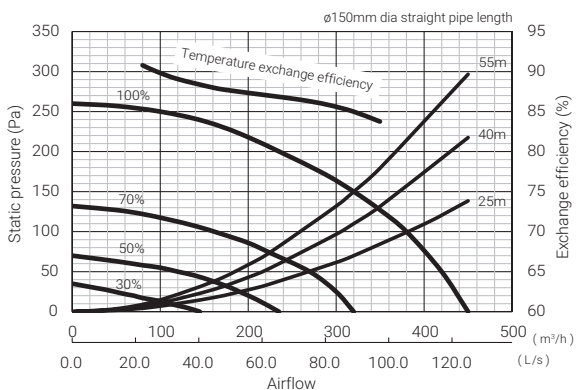
VL-350CZPVU-R-E



VL-350CZPVU-L-E



**Characteristic Curves**

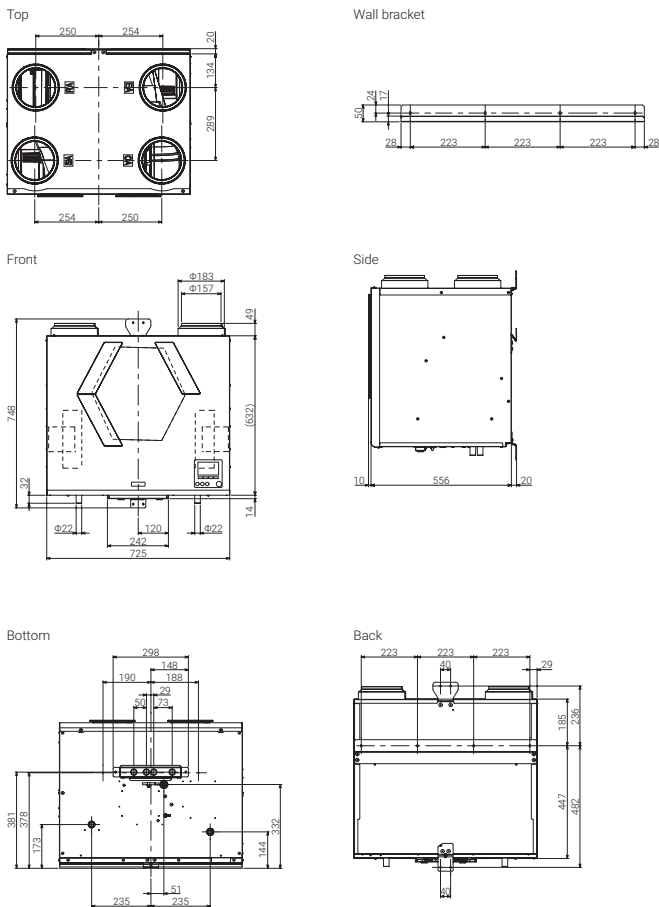




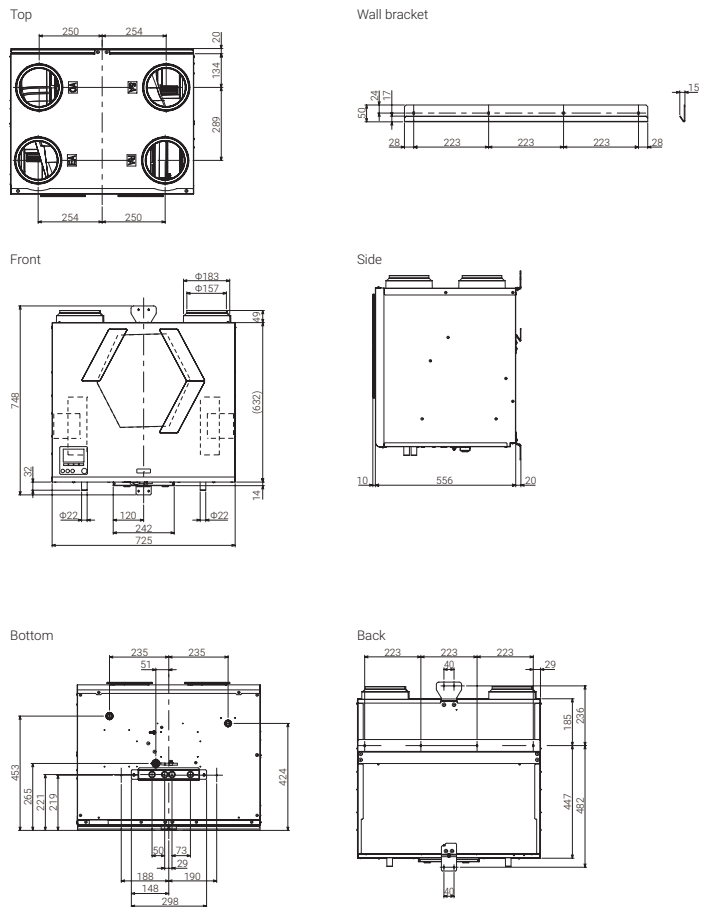
VL-500CZPVU-R/L-E		220-240V / 50Hz, 220V / 60Hz			
Electrical Power Supply		220-240V / 50Hz, 220V / 60Hz			
Ventilation Mode		Heat Recovery Mode			
Heat Exchanger Type		Sensible Heat Exchanger			
Fan Speed		FS4 (100%)	FS3 (70%)	FS2 (50%)	FS1 (30%)
Running Current	A	1.73	0.77	0.40	0.19
Input Power	W	275	104	49	21
Airflow	L/S	139	97	69	42
External Static Pressure	Pa	200	98	50	18
Temperature Exchange Efficiency	%	85	87	89	92
Sound Pressure Level at 3m	dB	37	29	22	15>
Energy Efficiency Class	ERP	A+			
Weight	kg	39			
Dimensions (H x W x D)	mm	632 x 725 x 556			

**Dimensions**

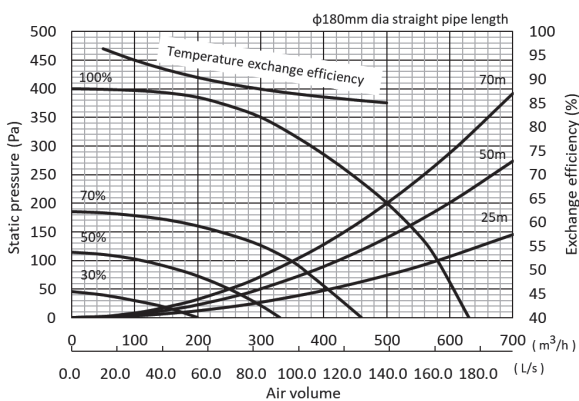
VL-500CZPVU-R-E



VL-500CZPVU-L-E



**Characteristic Curves**



# Accessories

## Filters

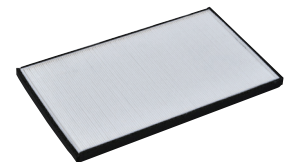
A lineup of various types of filters offers excellent indoor air quality solutions! Maintenance and exchanges can also be performed easily, simply by accessing the filter panels from the front of the unit.

All filters comply with the requirements of ISO16890:2016 and EN779:2012 and can be easily installed in the units.

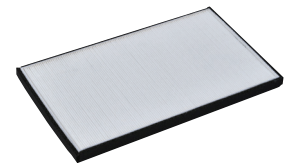
Standard Filter			
Filter			Lossnay
Model	Classification		Applicable Model
	ISO 16890 (2016)	EN779 (2012)	
P250F-E	Coarse 55%	G3	VL-250CZPVU-R/L-E
P350F-E			VL-350CZPVU-R/L-E
P500F-E			VL-500CZPVU-R/L-E



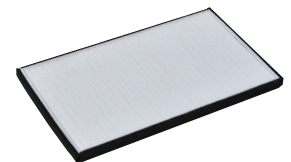
Replacement Filter (Optional)			
Filter			Lossnay
Model	Classification		Applicable Model
	ISO 16890 (2016)	EN779 (2012)	
P250S-E	Coarse 90%	G4	VL-250CZPVU-R/L-E
P350S-E			VL-350CZPVU-R/L-E
P500S-E			VL-500CZPVU-R/L-E



Medium-Efficiency Filter (Optional)			
Filter			Lossnay
Model	Classification		Applicable Model
	ISO 16890 (2016)	EN779 (2012)	
P250MF-E	ePM10 80%	M6	VL-250CZPVU-R/L-E
P350MF-E			VL-350CZPVU-R/L-E
P500MF-E			VL-500CZPVU-R/L-E



High-Efficiency Filter (Optional)			
Filter			Lossnay
Model	Classification		Applicable Model
	ISO 16890 (2016)	EN779 (2012)	
P250PF-E	ePM2.5 50%	M6	VL-250CZPVU-R/L-E
P350PF-E			VL-350CZPVU-R/L-E
P500PF-E			VL-500CZPVU-R/L-E



NOx Filter (Optional)			
Filter			Lossnay
Model	Classification		Applicable Model
	ISO 16890 (2016)	EN779 (2012)	
P250NF-E	NO2 90%		VL-250CZPVU-R/L-E
P350NF-E			VL-350CZPVU-R/L-E
P500NF-E			VL-500CZPVU-R/L-E

